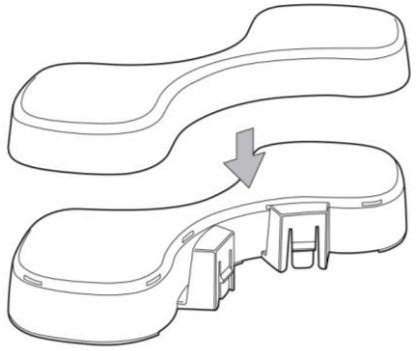


# Super Pooper™ Plus Potty Assembly



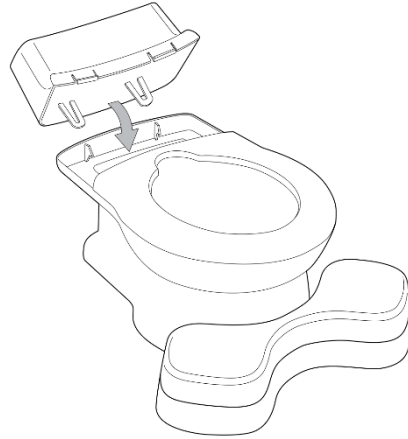
## Assemble Foot Lift

Separate the nested foot lift then snap together.



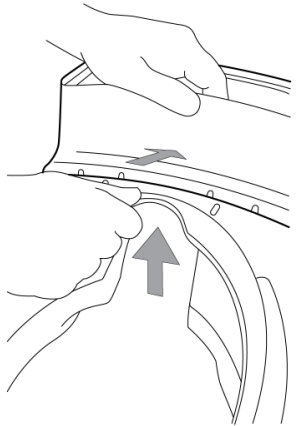
## Attach Foot Lift

Align tabs at the back of the foot lift with channels at the bottom front of the base. Push together until they click into place.



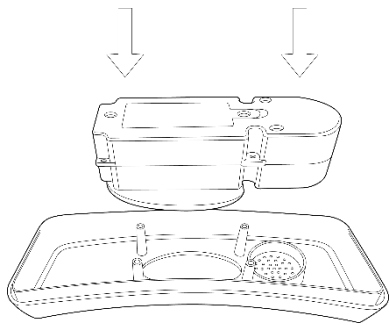
## Attach Tank

Place the clips at the back of the tank over the tabs at the back of the base.



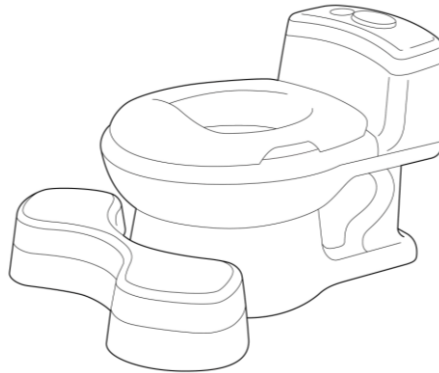
## Snap Tank In Place

Lift the base over the hooks at the front of the tank.



## Attach Sound Module

Align the buttons of the module inside the lid. Screw the module to the lid.



## Assemble Lid, Pot & Seat

Place lid on tank.  
Place pot on base.  
Place trainer seat on top of pot.